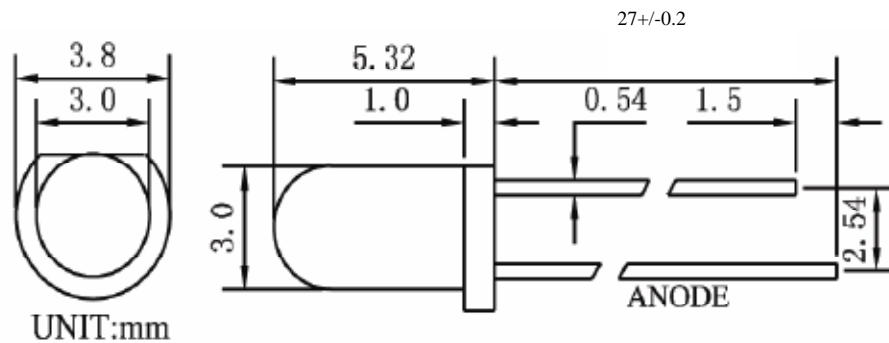


ARL2-3214UVC-180mcd

Package Dimensions



1. All dimensions are in millimeters(inches).
2. Protruded resin under flange is 1.5mm Max.

Part No.	Lens Type		Source	
	Color	Diffusion	Dice Source	Color
ARL2-3214UVC-180mcd	Water Clear	Non-Diffused	GaASIP	PURPLE

Absolute Maximum Rating

Parameter	Max. Rating	Units
Reverse Voltage	5	V
Forward Current	20	mA
Peak Forward Current	150	mA
Operating Temperature	-25° ~ +85°	°C
Storage Temperature	-25° ~ +85°	°C
Dip Soldering Temperature (3mm from case Bottom 260 °C for 5 seconds)		

Electric-optical characteristics

Parameter		Min	Typ	Max	Unit
Peak Wave Length	λ_p	400		405	nm
Spectra Half-Width	$\Delta\lambda$	--	10	--	nm
Luminous Intensity	LV	100		200	mcd
Forward Voltage	IF=20mA	3.0	3.4	3.6	V
Reverse Current	VR=5V	<1	10	--	μ A
Viewing angle			20		deg